

Trasteel TECH



**Hydraulic
Hammers**

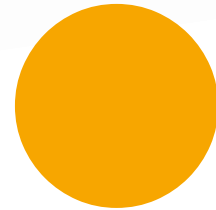
Hydraulic Hammers



Trasteel Tech introduces its **J Series** of hydraulic hammers: a broad, groundbreaking range of demolition tools that sets a new benchmark in the industry.

The **J Series** represents a leap forward in terms of power, durability and efficiency to tackle the most demanding construction and demolition jobs.

Its Nitrogen inertial energy recovery system provides a higher impact energy, and its soundproofing and buffering system is designed for operator comfort and vibration reduction in operation.



Internal Valve Hammers. J Series

Special Features:

- Soundproofing housing design
- Polyurethane buffers
- MC Nylon plates designed for a perfect fit
- Low recoil. Reduction of vibrations
- High impact energy
- Low noise level
- High performance and low maintenance cost
- (Optional) Automatic lubrication system

Valve Assembly

The control valve is built into the housing and it controls the reciprocating motion of the piston.

Accumulator Assembly

It compensates for pressure in the hydraulic circuit and prevents vibrations. (Use only N2 gas).

- W/o accumulator - JBN40 ~ JBN125
- W/ accumulator - JBN135 ~ JBN155

Front head Assembly

The front head supports the entire hammer. The thrust ring and the thrust bush prevent the tool's vacuum strokes.

Energy chamber

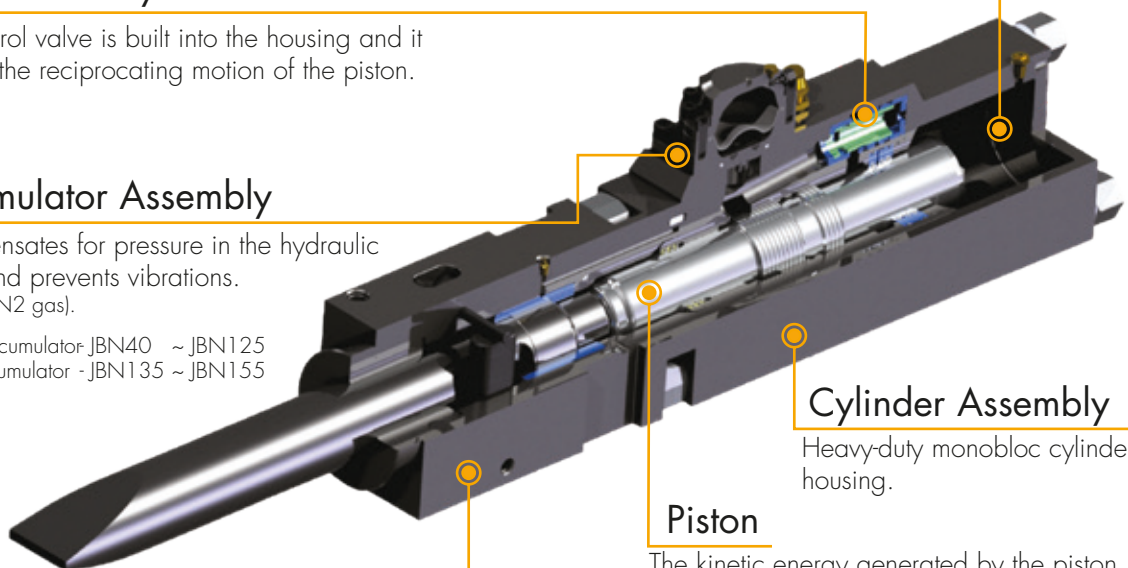
Compressed N2 gas drives the piston to strike the tool. (Use only N2 gas).

Cylinder Assembly

Heavy-duty monobloc cylinder housing.

Piston

The kinetic energy generated by the piston, propelled by the gas in the energy chamber, impacts the tool to effectively break rocks.



J Series - Light Range



Model		Unit	JBN40	JBN45	JBN53	JBN60	JBN70	JBN75	JBN90	JBN100
Description										
Operating Weight*		Kg	115	125	180	250	310	380	570	890
Tool (Moil type)	Diameter	mm	40	45	53	60	70	75	90	100
	Weight	Kg	4	6	9	12	20	25	41	59
Operating Pressure (Hammer)		bar	80 ~ 100	80 ~ 100	90 ~ 120	100 ~ 130	95 ~ 130	100 ~ 140	130 ~ 160	150 ~ 170
Pressure Setting (Machine)		bar	150	150	150	160	170	180	190	200
Blows Per Minute		bpm	800 ~ 1.400	700 ~ 1.200	600 ~ 1.100	500 ~ 1.000	450 ~ 1.000	475 ~ 950	480 ~ 850	450 ~ 780
Accumulator Pressure (N2 gas)		bar	NO ACCUMULATOR							
Energy Chamber Pressure (N2 gas)		bar	14	14	16	16	16	16	16	16
Required Oil Flow		l / min	15 ~ 30	20 ~ 35	25 ~ 50	30 ~ 60	34 ~ 60	40 ~ 80	45 ~ 85	85 ~ 110
Excavator Range	Min.	ton	0,8	1,2	2,5	3	3,5	6	6	10
	Max.	ton	2,5	3	4,5	5,5	7	9	13	17
	Suitable	ton	1	2	3	5	6	7	10	14

*Weights may vary depending on the adapter

J Series - Medium Range



Model		Unit	JBN125	JBN135	JBN140	JBN155
Description						
Operating Weight*		Kg	1.200	1.700	1.930	2.400
Tool (Moil type)	Diameter	mm	125	135	140	155
	Weight	Kg	97	125	129	193
Operating Pressure (Hammer)		bar	150 ~ 170	160 ~ 180	160 ~ 180	160 ~ 180
Pressure Setting (Machine)		bar	200	210	210	220
Blows Per Minute		bpm	420 ~ 730	350 ~ 680	280 ~ 550	280 ~ 550
Accumulator Pressure (N2 gas)		bar	N/A		60	
Energy Chamber Pressure (N2 gas)		bar	16	16	16	16
Required Oil Flow		l / min	100 ~ 120	120 ~ 150	120 ~ 150	160 ~ 240
Excavator Range	Min.	ton	15	18	20	28
	Max.	ton	20	28	30	40
	Suitable	ton	17	20	24	34

*Weights may vary depending on the adapter

J Series - Heavy Range



JBN645

JBN745



JBN770

JBN800



JBN900

JBN1000

Description		Model	Unit	JBN645	JBN745	JBN770	JBN800	JBN900	JBN1000
Operating Weight*			Kg	2.850	3.300	3.800	4.400	6.300	10.500
Tool (Moil type)	Diameter		mm	155	165	175	190	208	230
	Weight		Kg	174	236	279	326	415	470
Operating Pressure (Hammer)			bar	150 ~ 190	160 ~ 190	160 ~ 200	160 ~ 200	180 ~ 205	220 ~ 240
Pressure Setting (Machine)			bar	240	240	250	250	250	270
Blows Per Minute			bpm	300 ~ 500	300 ~ 500	250 ~ 500	250 ~ 500	170 ~ 220	140 ~ 170
Accumulator Pressure (N2 gas)				60					
Energy Chamber Pressure (N2 gas)			bar	17	17	18	18	18	18
Required Oil Flow			l / min	180 ~ 250	180 ~ 250	210 ~ 280	220 ~ 290	230 ~ 300	360 ~ 430
Excavator Range	Min.		ton	33	33	45	45	55	70
	Max.		ton	50	50	55	70	100	150
	Suitable		ton	40	40	50	55	70	100

*Weights may vary depending on the adapter

J Series - Skid Steer Loader / Backhoe Loader



Backhoe Loader

Description		Model	Unit	JBN70BL	JBN75BL
Operating Weight*			Kg	326	410
Tool Diameter			mm	70	75
Blows Per Minute			bpm	450 ~ 1.000	475 ~ 950
Operating Pressure			bar	95 ~ 130	100 ~ 140
Machine Pressure			bar	170	180
Energy Chamber Pressure			bar	16	16
Required Oil Flow			l / min	34 ~ 60	40 ~ 80

*Weights may vary depending on the adapter

Skid Steer Loader

Description		Model	Unit	JBN45SL	JBN53SL	JBN70SL	JBN75SL
Operating Weight*			Kg	190	280	382	475
Tool Diameter			mm	45	53	70	75
Blows Per Minute			bpm	700 ~ 1.200	600 ~ 1.100	450 ~ 1.000	475 ~ 950
Operating Pressure			bar	80 ~ 100	90 ~ 120	95 ~ 130	100 ~ 140
Machine Pressure			bar	150	150	170	180
Energy Chamber Pressure			bar	14	16	16	16
Required Oil Flow			l / min	20 ~ 35	25 ~ 50	34 ~ 60	40 ~ 80



*Weights may vary depending on the adapter

Suitable machine and optimal operating pressure



Model	Excavator Weight (Tons)	Operating Pressure (bar)
JBN40	0.8 1.0 2.0 2.5	80 85 95 100
JBN45	1.2 1.5 2.5 3.0	80 85 95 100
JBN53	2.5 3.0 4.0 4.5	90 100 110 120
JBN60	3.0 3.5 5.0 5.5	100 110 120 130
JBN70	3.5 4.5 6.5 7.0	95 100 120 130
JBN75	6.0 6.5 8.0 9.0	100 110 125 140
JBN90	6.0 7.0 12 13	130 140 150 160
JBN100	10 11 15 17	150 155 165 170
JBN125	15 16 18 20	150 155 165 170
JBN135	18 19 25 28	160 165 175 180
JBN140	20 22 28 30	160 165 175 180
JBN155	28 30 36 40	160 165 175 180
JBN645	33 36 45 50	150 160 180 190
JBN745	33 36 48 50	160 165 180 190
JBN770	45 48 52 55	160 170 190 200
JBN800	45 50 60 70	160 170 190 200
JBN900	55 60 80 100	180 190 200 205
JBN1000	70 80 120 150	220 225 235 240

* Recommended suitable machine (tons)

* Optimal operating pressure (bar)

Best
 Best
 Possible
 Possible

.Trasteel WEAR PARTS

cohidrex

www.cohidrex.com



☎ +34 650 960 957

✉ export@cohidrex.es

MADRID

Pol. Ind. La Raya • C/ Guadalquivir, 2
E28816 Camarma de Esteruelas
Madrid (Spain)
☎ +34 91 802 12 91

CÁCERES

Pol. Industrial Las Capellanías
C/ Alpargateros, 1
E10005 Cáceres (Spain)
☎ +34 927 230 834

LA CORUÑA

LT51 Workspace • Oficina 1A
La Telva 2 C, Pt. 1
E15660 Cambre • La Coruña (Spain)
☎ +34 666 572 640